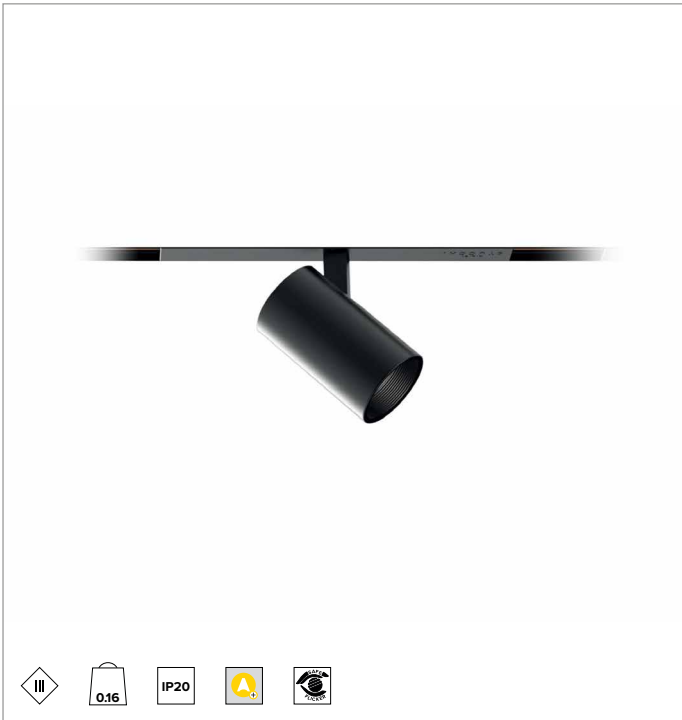
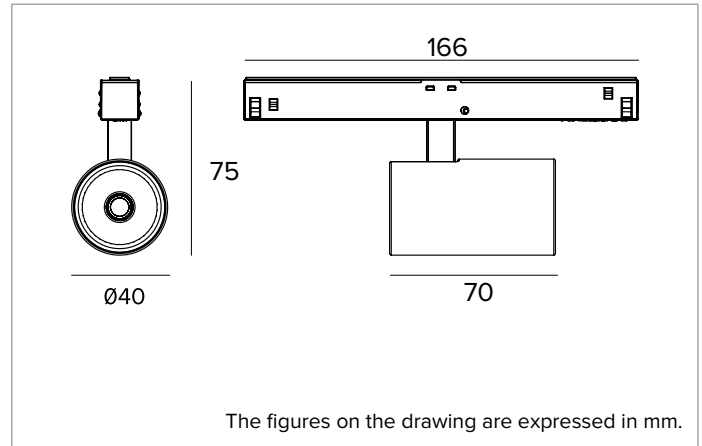


# 1T665DA | FORTYEIGHT Label 4

## Low voltage adjustable LED professional projector



	4000K	H(m)	D(m)	Emax(lx)
	Ra90		27°	
	Fixture Power	9W	1	0.48
	Source Flux	1289lm	2	0.95
	Fixture Flux	920lm	3	1.43
	Efficacy	103lm/W	4	1.91
TS1953	Imax=2834cd/klm	Imax	3653cd	5
			2.38	146



### SOURCE

High efficiency Chip on Board LED Ra90. 3500K on request.

**Energy efficiency class:** E

**Nominal power:** 8,2W

**Nominal flux:** 1289lm

**Colour rendering index:** 90

**Rf:** 90

**Rg:** 98

**CCT nominal:** 4000K

**SDCM:** 1.5

**Lifetime (L80/B10):** >50000h tq +25°C

### ILLUMINOTECHNICAL CHARACTERISTICS

FL - metallised polycarbonate precision optics, a holographic diffusion filter and a black silicone cut off ring.

**Optic:** REFLECTOR

**Beam angles:** FL

**Optical efficiency:** 71%

**Fixture flux:** 920lm

**Luminous efficacy:** 103lm/W

**Photobiological safety:** Compliant with RG1 low risk group

### MECHANICAL CHARACTERISTICS

Painted die-cast aluminium body. The optical unit can be adjusted from 0° a 90° on the vertical plane and 360° on the horizontal plane with friction locking system.

**Colour and finish:** Plaster white

**Dimensions:** D=40mm

**Weight:** 0.16Kg

**Version:** DALI

**Degree of protection:** IP20

### ELECTRICAL CHARACTERISTICS

DALI version with track power supply. Casambi control system available using a dedicated accessory.

**Fixture Power:** 9W

**Power supply:** 48Vdc

**Insulation Class:** CLASS 3

**Class F:** YES

**SAFE FLICKER:** PstLM=<1 and SVM=<0.4 (IEC TR 61547-1 and IEC TR 63158), to ensure a more comfortable and safe light

**Ambient temperature:** 0°C / +25°C

### INSTALLATION

Quick coupling system for mounting the product on the track.

### NOTES

Not polarized fixture. The arm is and the adapter are supplied in the same colour as the body of the projector. 110-277Vac version available on request. Commissioning of the control system via free APP; the intervention of a specialist technician can be quoted on request.

### WARRANTY

5 years.

### WARNING

Luminaire designed for disposal/recycling at end-of-life. Replaceable (LED only) light source by a professional. Replaceable control gear by a professional.

*Due to the technological evolution of the electronic components, the data provided may be updated, and as such, confirmation must be requested during the order process.*

*Luminous flux and power supply have +/-10% tolerances with respect to the indicated value. tq +25°C (CIE 121).*

*We reserve the right to make technical changes.*

Targetti Sankey S.r.l.  
Via Pratese, 164  
50145 Firenze - Italy  
Tel: +39 055 37911  
targetti.com  
targetti@targetti.com

CCIAA Firenze  
Share Capital:  
€ 500.000,00  
VAT N. (IT):  
01537660480  
R.E.A: FI-275656

**TARGETTI**

**1T665DA | FORTYEIGHT Label 4**  
 Low voltage adjustable LED professional projector

**Accessories**

**Filter**



Ø mm	Code
34	<b>1T6931</b>

PMMA holographic filter with blade effect to ovalize the light beam; more evident when combined with spot and flood optics.

**Grid**



Ø mm	Code
34	<b>1T6930</b>

Anti-glare louver.  
 Black painted metal honeycomb structure.  
 Complete with holographic diffusion filter.

*Due to the technological evolution of the electronic components, the data provided may be updated, and as such, confirmation must be requested during the order process.  
 Luminous flux and power supply have +/-10% tolerances with respect to the indicated value. tq +25°C (CIE 121).*

*We reserve the right to make technical changes.*

Targetti Sankey S.r.l.  
 Via Pratese, 164  
 50145 Firenze - Italy  
 Tel: +39 055 37911  
 targetti.com  
 targetti@targetti.com

CCIAA Firenze  
 Share Capital:  
 € 500.000,00  
 VAT N. (IT):  
 01537660480  
 R.E.A: FI-275656

